

014b.013

MINI-ASSEMBLAGE P.U.D. PLAT EIGHT  
PLAT BOOK 110, PAGE(S) 9-13

# MINI ASSEMBLAGE P.U.D. PLAT THREE

ALSO KNOWN AS GREYSTONE P.U.D.

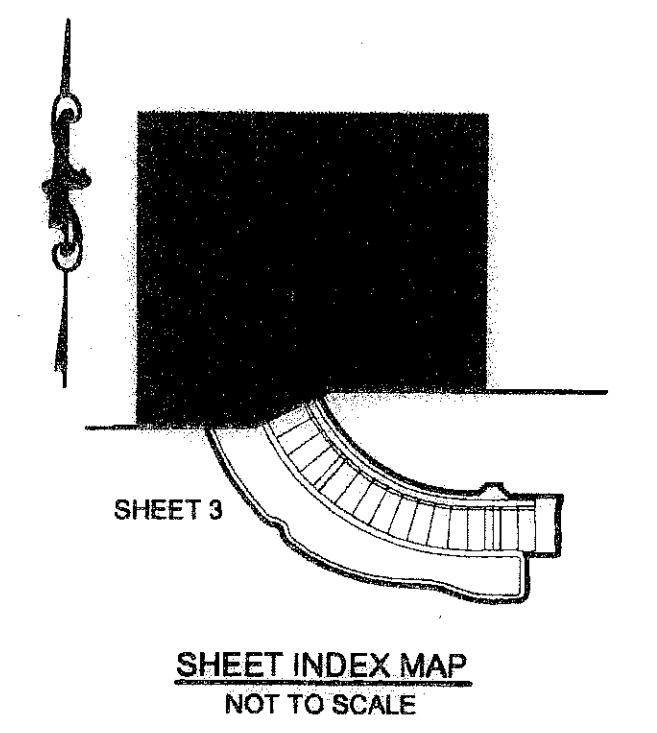
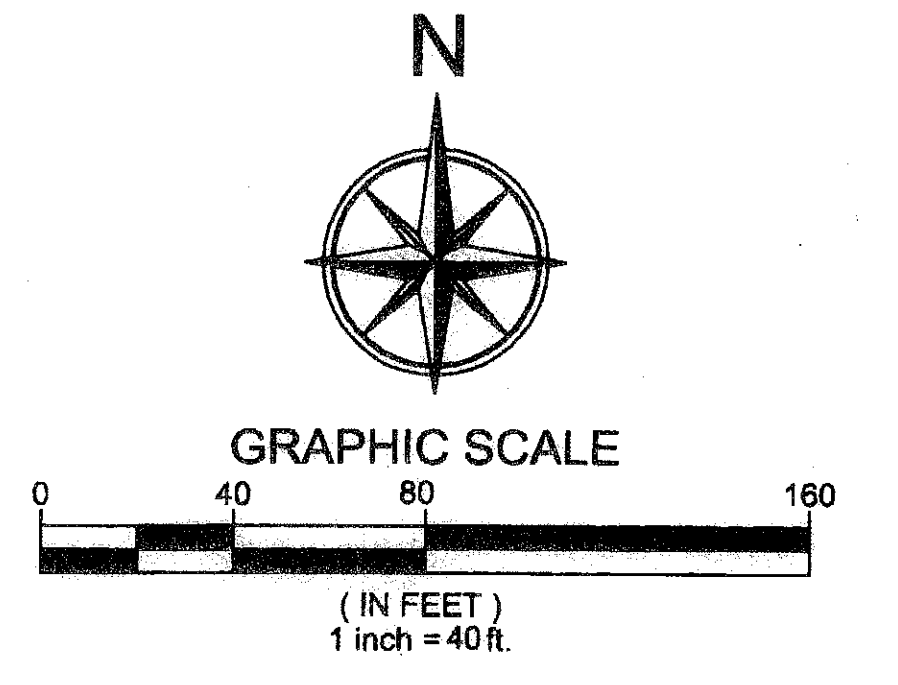
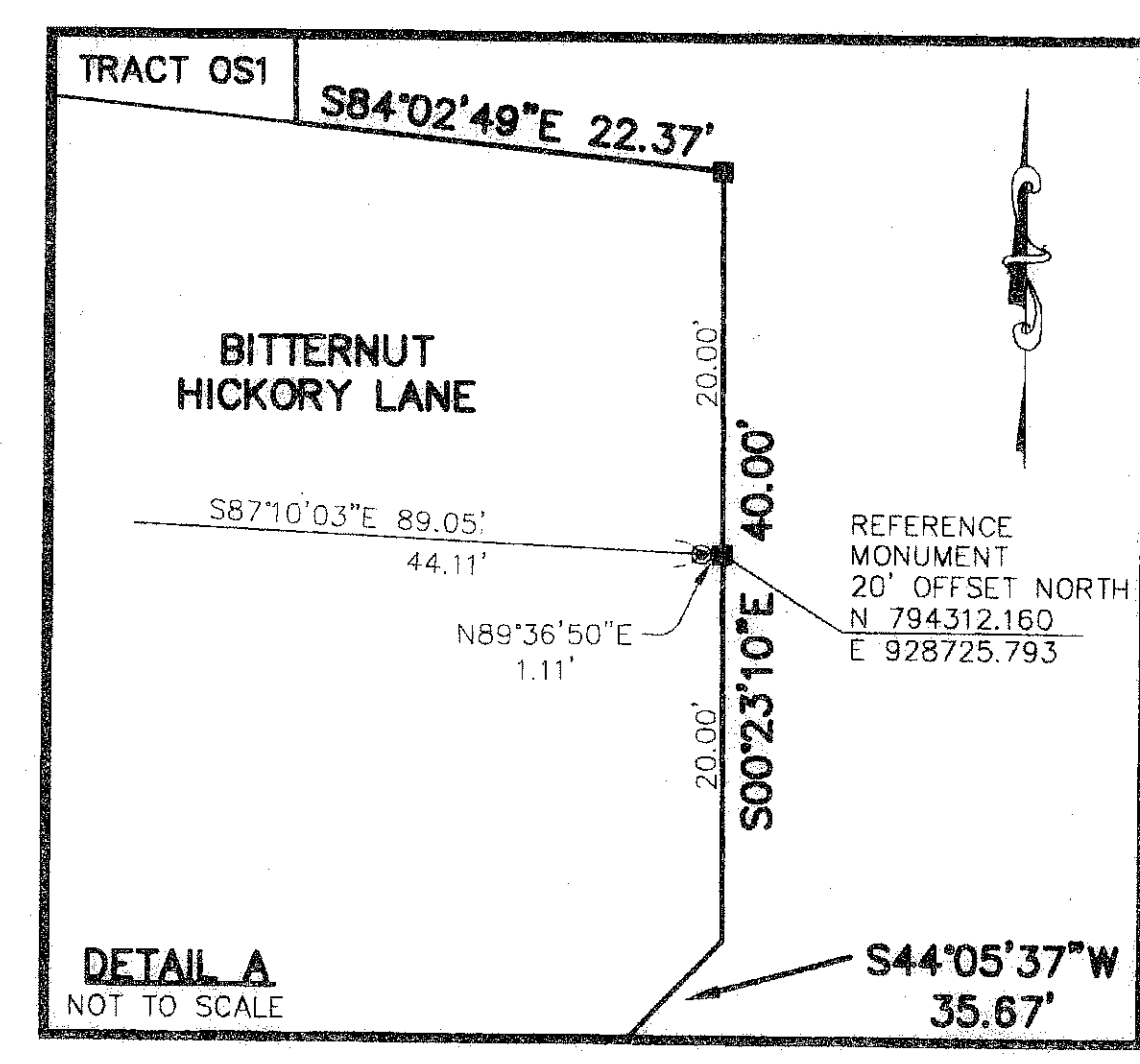
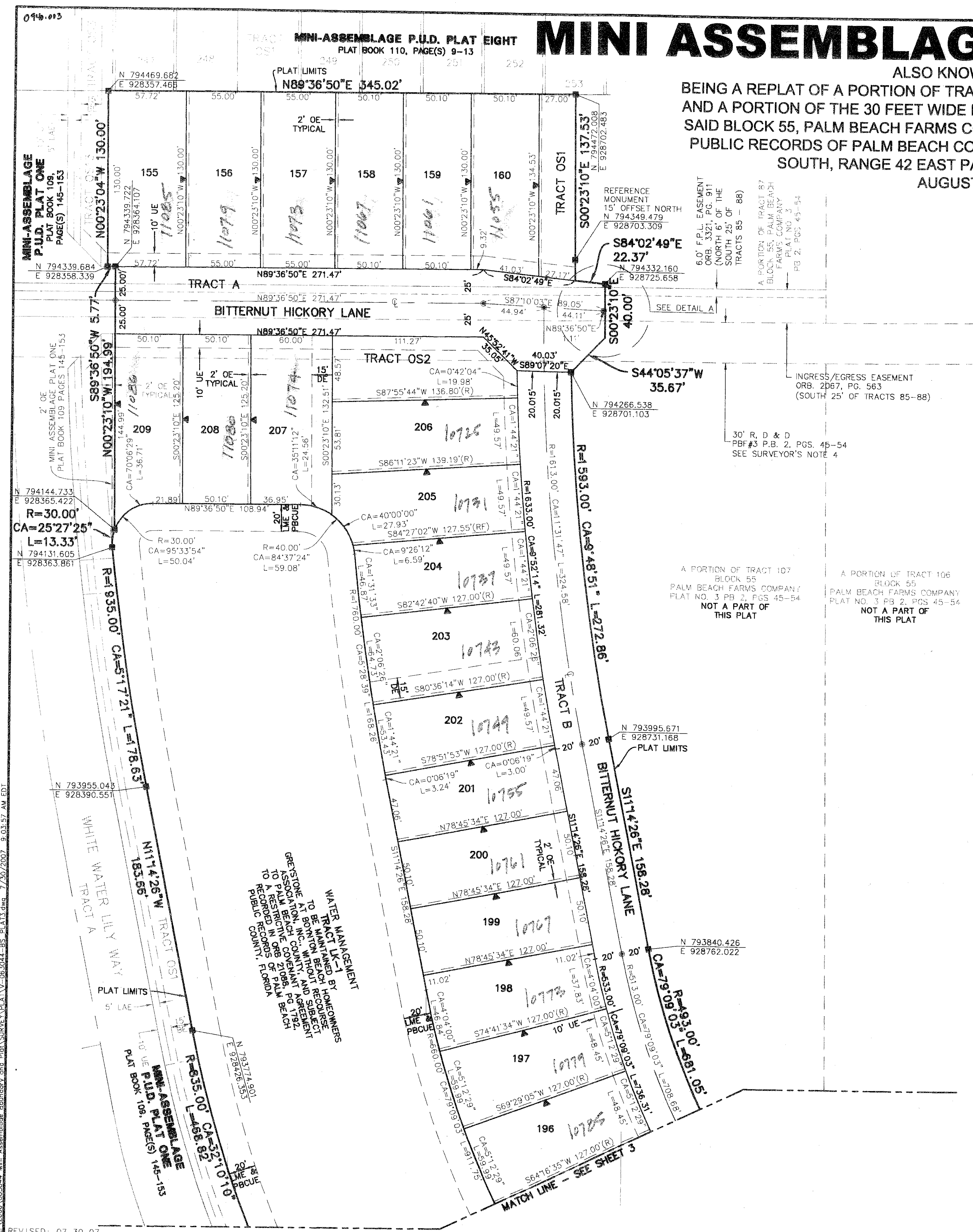
BEING A REPLAT OF A PORTION OF TRACTS 85, 86, 107, 108, 117, 118, 119, AND 120, BLOCK 55,  
AND A PORTION OF THE 30 FEET WIDE ROAD, DITCH, AND DYKE RESERVATION LYING WITHIN  
SAID BLOCK 55, PALM BEACH FARMS CO., PLAT NO. 3, PLAT BOOK 2, PAGES 45 THROUGH 54,  
PUBLIC RECORDS OF PALM BEACH COUNTY FLORIDA, BEING IN SECTION 28, TOWNSHIP 45  
SOUTH, RANGE 42 EAST PALM BEACH COUNTY, STATE OF FLORIDA

AUGUST 2006 SHEET 4 OF 4

This Instrument Prepared By:  
Kevin M. Beck, P.S.M.  
Certificate of Authorization No. LB 6791  
AUGUST 2007

**CA** Calvin, Giordano & Associates, Inc.  
Engineers Surveyors Planners  
660 Village Boulevard, Suite 340  
West Palm Beach, Florida 33409  
Phone: 561.684.6161 Fax 561.684.6500

144



- LEGEND:**
- BE = BUFFER EASEMENT
  - CA = CENTRAL (DELTA) ANGLE
  - CH = CHORD
  - DB = DEED BOOK
  - DE = DRAINAGE EASEMENT
  - ESMT = EASEMENT
  - L = ARC LENGTH
  - LAE = LIMITED ACCESS EASEMENT
  - LMAE = LAKE MAINTENANCE ACCESS EASEMENT
  - LME = LAKE MAINTENANCE EASEMENT
  - LWDD = LAKE WORTH DRAINAGE DISTRICT
  - OE = OVERHANG EASEMENT
  - ORB = OFFICIAL RECORDS BOOK
  - PB = PLAT BOOK
  - PBCUE = PALM BEACH COUNTY UTILITY EASEMENT
  - POB = POINT OF BEGINNING
  - POC = POINT OF COMMENCEMENT
  - PG(S) = PAGE(S)
  - (R) = RADIAL
  - R,D&D = ROAD, DIKE AND DITCH RESERVATION
  - R/W = RIGHT-OF-WAY
  - UE = UTILITY EASEMENT
  - C/L = CENTERLINE
  - ☐ = CENTRAL LINE
  - = PERMANENT REFERENCE MONUMENT (4" x 4" CONCRETE MONUMENT WITH A 2" ALUMINUM PLATE STAMPED "PRM LB 6791", UNLESS OTHERWISE NOTED)
  - ▼ = ZERO LOT LINE SYMBOL
  - = PERMANENT CONTROL POINT (SET "PK" NAIL AND DISK LABELED "LB 6791")

Z:\1\2006\063044 Mini-Assemblage Boundary and Plat Survey\PLAT V-063044-BS-PLAT3.dwg 7/20/2007 9:03:57 AM EDT

REVISED: 07-30-07